

PRODUCT DESCRIPTION:

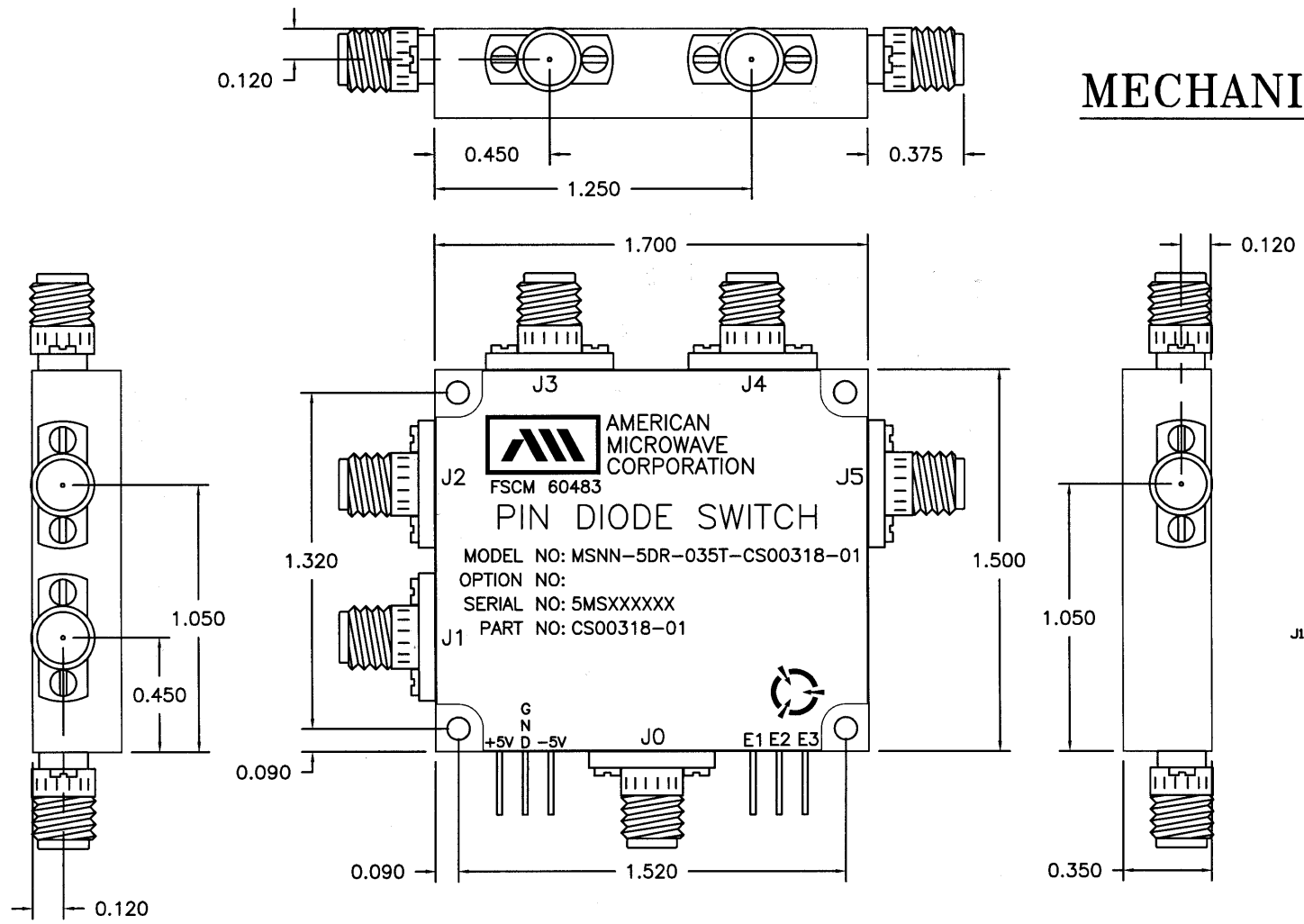
AMC MODEL MSNN-5DR-035T-CS00318-01 IS A SLIM LINE SINGLE POLE FIVE THROW SOLID STATE SWITCH THAT WORKS FROM 0.1 GHZ TO 18 GHZ WITH A BUILT IN TTL DRIVER.

ZONE		REV.	DESCRIPTION	DATE	APPROVED
		-	ORIGINAL RELEASE	5/19/09	

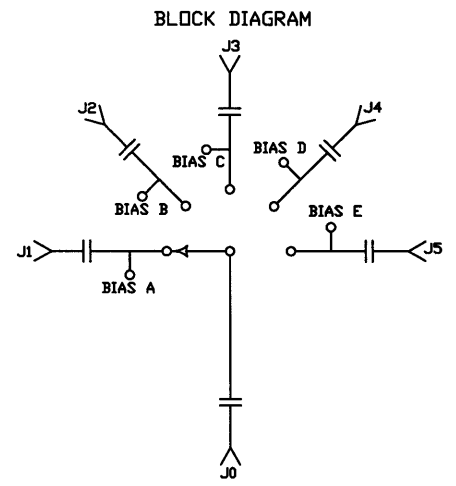
REVISIONS

JOB# 303038E

MECHANICAL OUTLINE



AMERICAN MICROWAVE CORPORATION
FSCM 60483
PIN DIODE SWITCH
 MODEL NO: MSNN-5DR-035T-CS00318-01
 OPTION NO:
 SERIAL NO: 5MSXXXXXX
 PART NO: CS00318-01



CONFIDENTIAL AND PROPRIETARY

ALL DIMENSIONS ARE IN INCHES
 TOLERANCES:
 X.XX ±0.010
 X.XXX ±0.005

PART NO.		AMERICAN MICROWAVE CORPORATION FREDERICK, MARYLAND	
APPROVALS	DATE	TITLE	
DRAWN <i>gdf</i>	5/19/09	OUTLINE DRAWING	
CHECKED		MSNN-5DR-035T-CS00318-01	
ISSUED		SP5T SWITCH	
SIZE	FSCM NO.	DWG NO.	REV.
A	60483	100-6610	-
SCALE	SHEET		2 OF 3
N/A			

